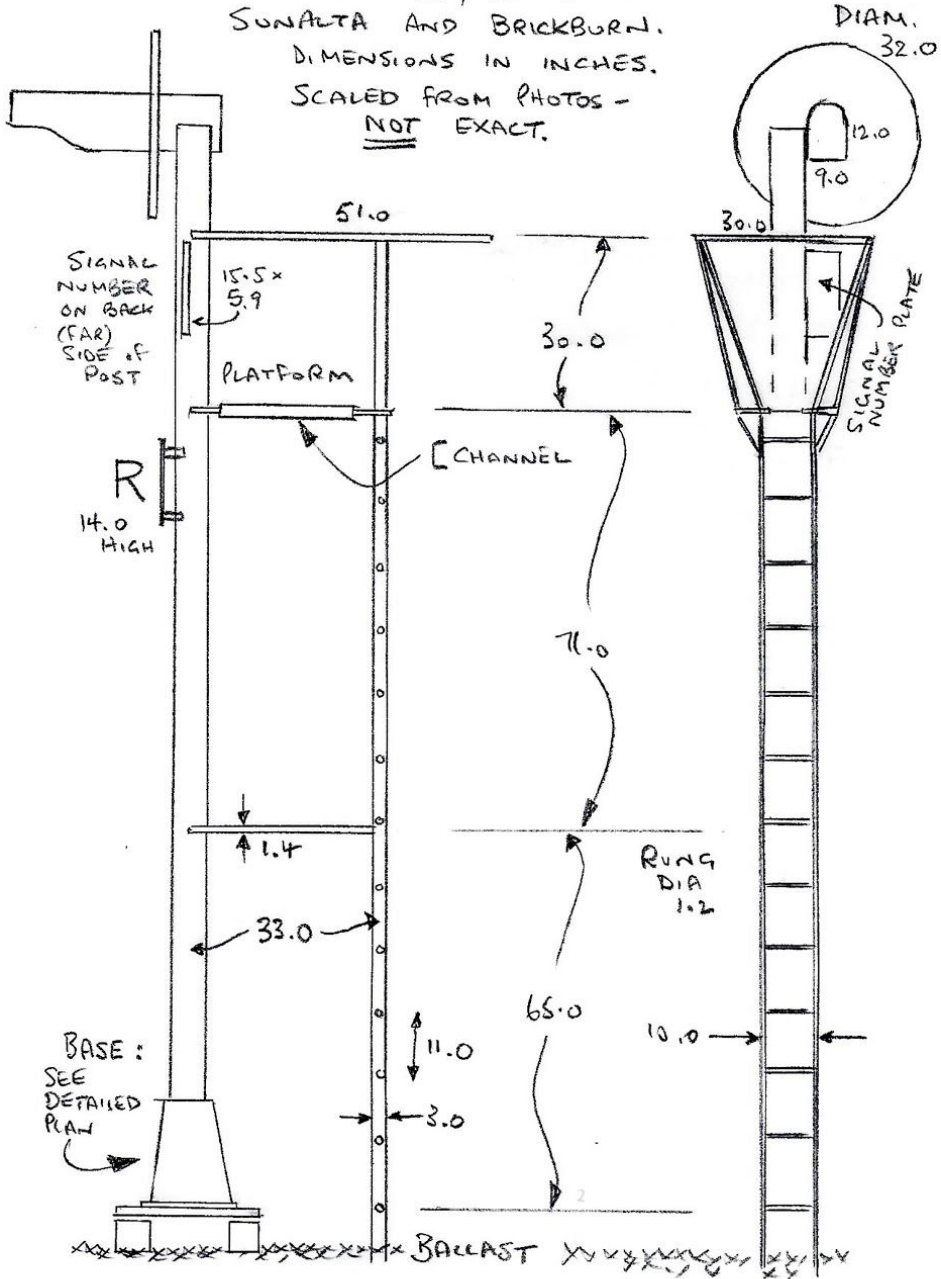


INTERMEDIATE SIGNAL 33, BETWEEN
 SUNALTA AND BRICKBURN.
 DIMENSIONS IN INCHES.
 SCALED FROM PHOTOS -
NOT EXACT.

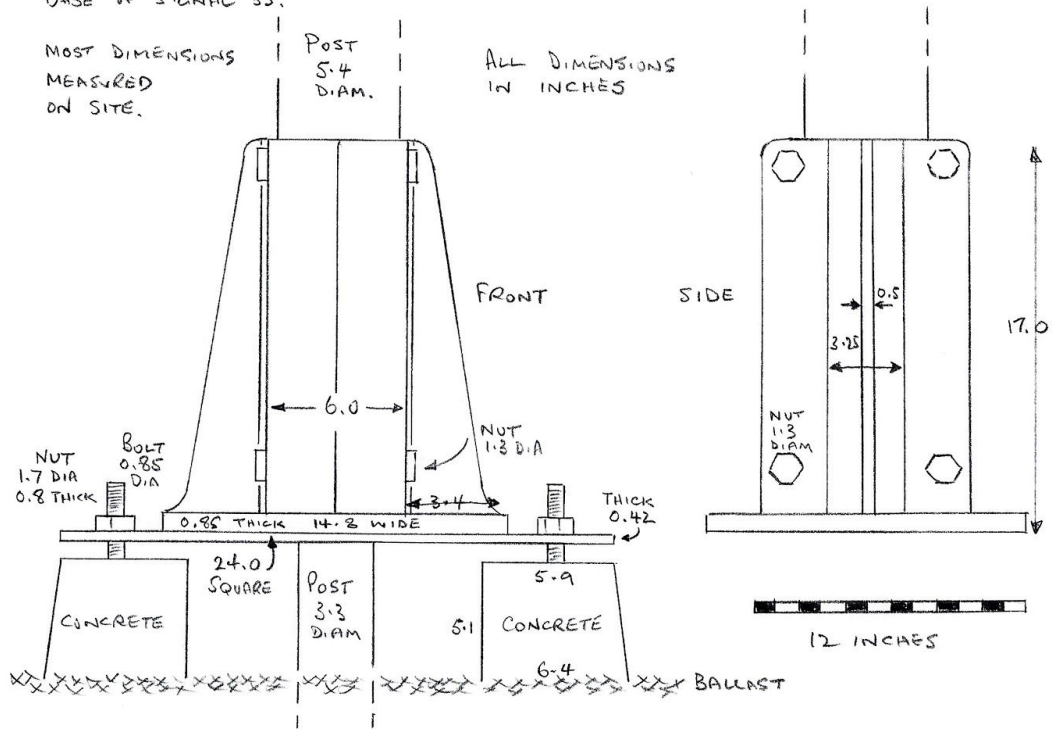


BASE OF SIGNAL 33.

MOST DIMENSIONS
MEASURED
ON SITE.

POST
5.4
D.I.A.

ALL DIMENSIONS
IN INCHES



FRONT

SIDE

NUT
1.7 DIA
0.8 THICK

BOLT
0.85
D.I.A

NUT
1.3 DIA

THICK
0.42

CONCRETE

24.0
SQUARE

POST
3.3
D.I.A

5.1
CONCRETE

NUT
1.3
D.I.A

12 INCHES

BALLAST